



Type ETO2

Controller for ice and snow melting



67222A 04/14 (JRK)
© 2014 OJ Electronics A/S



English Instruction



ETO2 is an electronic controller for fully automatic, economical ice and snow melting on outdoor surfaces and in gutters. Ice forms due to a combination of low temperature and moisture. ETO2 detects both temperature and moisture, and the ice and snow melting system will usually only be activated if ice or snow is present. ETO2 is suitable for controlling both electric heating cables and hydronic heating pipes.

Product programme

ETO2-4550	Thermostat.
ETOG-55	Ground sensor for detecting temperature and moisture.
ETOG-56/ETOK-1	Embedded ground sensor for detecting temperature and moisture.
ETOR-55	Gutter sensor for detecting moisture.
ETF-744/99	Outdoor sensor for detecting temperature.
ETF-522	Water pipe sensor for detecting temperature.



WARNING! – Read this manual!

Carefully read this instruction manual in its entirety, paying close attention to all the warnings listed below. Make sure that you fully understand the use, displays and limitations of the controller because any confusion resulting from neglecting to follow this instruction manual, or from improper use of the device it concerns, may cause an installer to commit errors which could lead to ice and snow conditions capable of causing serious injury or death.



WARNING! – Note that snow, ice and icicles may be present even though you follow the instructions contained in this manual.

You are strongly advised to monitor any unexpected build-up of snow, ice or icicles. As an additional safety measure, you should always perform a manual inspection of public areas in order to ensure safe access to the controlled areas.



WARNING! – Important safety instructions.

Disconnect the power supply before carrying out any installation or maintenance work on this control unit and associated components. This control unit and associated components should only be installed by a competent person (i.e. a qualified electrician). Electrical installation must be in accordance with appropriate statutory regulations.



NOTE! – The output relays are potential free. The installer must connect a power source, e.g. from an electrical panel.

CE MARKING FOR EU

OJ Electronics A/S hereby declares that the product is manufactured in accordance with Council Directive 2004/108/EC on electromagnetic compatibility (and subsequent amendments) and Council Directive 2006/95/EEC on electrical equipment designed for use within certain voltage limits.

Applied standards

ETO2-4550-EU28:	CE marking LVD/EMC: EN60730-2-9
ETO2-4550-US28:	CAN/CSA E 60730-2-9:01.
ETO2-4550-RU28:	CE marking LVD/EMC: EN60730-2-9

The product may only be used if the complete installation complies with current directives. The product carries a manufacturer's warranty if installed in accordance with these instructions and current regulations. If the product has been damaged in any way, e.g. during transport, it must be inspected and checked by authorised personnel before being connected to the power supply.

TECHNICAL DATA

Thermostat ETO2-4550:

Designed for indoor mounting only!
 Supply voltage.... 115/240 V AC $\pm 10\%$, 50-60 Hz
 Supply voltage for ETOG/ETOR heating (SMPS).....28 V DC, 8 VA
 3 output relays
 (potential-free contact, NO).....3 X 16 A
 Alarm relay (potential-free contact, NO). max. 5 A
 Control signal to actuator (mixing valve) 0-10 V DC
 Supply voltage to actuator (mixing valve)max. 48 V AC/DC / max. 2 A
 On/off differential..... 1.8°F / 1°C
 Temperature range -4/+50°F / -20/+10°C
 Ambient temperature..... 32/122°F / 0/+50°C
 Ambient air humidity 10-95%
 Enclosure rating.....IP 20
 Weight 600 g
 Dimensions H/W/D.....90/156/45 mm
 Type1B
 Control pollution degree 2
 Rated impulse voltage..... 4 kV

Ground sensor - type ETOG-55:

Designed to be embedded in outdoor surfaces.
 DetectionMoisture and temperature
 Mounting Outdoor surfaces
 Enclosure rating.....IP 68
 Ambient temperature..... -57/+158°F / -50/+70°C
 Dimensions.....H32, Ø60 mm

Ground sensor - ETOG-56/ETOK-1:

Designed to be embedded in outdoor surfaces.
 DetectionMoisture and temperature
 Mounting Outdoor surfaces
 Enclosure rating.....IP 68

Ambient temperature -57/+158°F / -50/+70°C
 Dimensions, sensorH32, Ø60 mm
 Dimensions, tubeH78, Ø63.5 mm

Gutter sensor - type ETOR-55:

Designed to be mounted in gutter or downpipe. Is used together with outdoor sensor type ETF-744/99.
 Detection Moisture
 Mounting Gutter or downpipe
 Enclosure rating.....IP 68
 Ambient temperature..... -57/+158°F / -50/+70°C
 Dimensions H/W/D..... 105/30/13 mm

Outdoor sensor - ETF-744/99:

Detection Temperature
 Mounting Wall
 Enclosure rating.....IP 54
 Ambient temperature..... -57/+158°F / -50/+70°C
 Dimensions H/W/D.....86/45/35 mm

Water pipe sensor - ETF-522:

Detection Temperature
 Mounting Strapped to pipe
 Enclosure rating.....IP 54
 Ambient temperature.... -40/+248°F / -40/+120°C
 Dimensions..... Ø6.5, L50 mm



NOTE: The snow and ice melting system is deactivated in the event of sensor failure - regardless of sensor type.

SENSOR INSTALLATION

Ground sensor - ETOG, figs 1+3:

For installation in outdoor surfaces where ice and snow are a regular problem. The sensor must be embedded horizontally with its top flush with the surrounding surface. The sensor cable must be installed in accordance with current regulations. NOTE: We strongly recommend the use of cable pipes in order to protect the sensor cable. Detailed installation instructions are supplied with the sensor. With ETOG-55, use the accompanying installation plate. With ETOG-56, use the ETOK-1 mounting kit.



NOTE: Remove the installation plate from ETOG-55 before initial start-up.

performed in accordance with applicable local regulations.

Gutter sensor - ETOR, figs 2+4:

For installation in a gutter or downpipe on the sunny side of the building. It is important to ensure that the sensor contact elements face against the flow of melt water. If necessary, two sensors can be installed in parallel. Detailed installation instructions are supplied with the sensor.



Note that the pink and grey wires are not used.

Outdoor sensor - ETF-744/99, figs 2+4:

Although ETF is designed for use with gutter sensor ETOR, it can also be used separately for the detection of temperature alone. The sensor should be mounted on the wall beneath the eaves on the north side of the building.

Water pipe sensor - ETF-522:

Is only used with hydronic heating systems to detect the temperature of the supply and return water. Must be fastened to the pipe directly with strips.

Sensor cables:

With the exception of ETOG-56, which has a 25 m cable, ETOG and ETOR sensors are supplied with a 10 m cable, which can be extended up to approx. 200 m using standard installation cable: 6x1.5 mm² for ETOG and 4x1.5 mm² for ETOR. The ETF cable can be extended up to approx. 50 m in length. Sensor cables must be installed in accordance with current regulations. They must never be installed parallel to power cables as electrical interference may distort the sensor signal.

ETO2:

The unit is intended to be DIN-rail mounted in an approved panel.

Wall mounting:

The accompanying plastic cover can be used for wall mounting in an indoor area.

Connect supply voltage to terminals N and L. All electrical and mechanical installation must be

SETUP, ELECTRIC HEATING

- **1-zone electric heating control with ETOG (figs 3+6):**
Connect 1 or 2 ETOG sensors to terminals 11-20.
Connect heating cable to potential-free output relays 1, 2 and 3 according to fig. 8.
- **1-zone electric heating control with ETOR + ETF (figs 4+7):**
Connect 1 or 2 ETOR sensors to terminals 11-20.
Note that the pink and grey wires are not used.
Connect 1 ETF sensor to terminals 31-32.
Connect heating cable to potential-free output relays 1, 2 and 3 according to fig. 8.
- **2-zone electric heating control with ETOG (figs 3+6):**
Connect 2 ETOG sensors to terminals 11-20.
Connect heating cable for zone 1 to potential-free output relay 1 according to fig. 8.
Connect heating cable for zone 2 to potential-free output relay 2 according to fig. 8.
- **2-zone electric heating control with ETOR (figs 4+7):**
Connect 2 ETOR sensors to terminals 11-20.
Note that the pink and grey wires are not used.
Connect heating cable for zone 1 to potential-free output relay 1 according to fig. 8.
Connect heating cable for zone 2 to potential-free output relay 2 according to fig. 8.
- **2-zone electric heating control with ETOG and ETOR (figs 5+6+7):**
Connect 1 ETOG sensor to terminals 11-16 as sensor 1.
Connect 1 ETOR sensor to terminals 17-20 as sensor 2.
Note that the pink and grey wires are not used.
Connect heating cable for zone 1 (ground) to potential-free output relay 1 according to fig. 8.
Connect heating cable for zone 2 (roof) to potential-free output relay 2 according to fig. 8.

- **1-zone electric heating control with output control (Y/Δ) (figs 6+9+10):**

Advanced 2-stage control with ETOG. 1/3 power on heating cables in afterrun.

Connect 1 or 2 ETOG sensors to terminals 11-20.

Connect external contactor/relays to potential-free output relays 1, 2 and 3 according to fig. 10.

SETUP, HYDRONIC HEATING

- **1-zone hydronic heating control for controlling the supply water temp. with mixing valve (figs 6+11+13+16):**

Connect 1 or 2 ETOG sensors to terminals 11-20 (fig. 6).

Connect supply voltage (24 V AC) for mixing valve to terminals 25-26 (fig. 13).

Connect mixing valve to terminals 21-24 (fig. 13).

Connect ETF-522 supply and return sensors to terminals 27-30 (fig. 16).

Connect primary pump to potential-free output relay 1 according to fig. 14.

Connect secondary pump to potential-free output relay 2 according to fig. 14.

- **1- or 2-zone hydronic heating control, simple (figs 3+6+12):**

Connect 1 or 2 ETOG sensors to terminals 11-20 (fig. 6).

Connect circulation pump for zone 1 to potential-free output relay 1 according to fig. 14.

If zone 2 is used, connect circulation pump for zone 2 to potential-free output relay 2 according to fig. 14.

Same application setup as for 1- or 2-zone electric heating control, see User Manual, Startup.

REMOTE CONTROL (fig. 15):

The forced heat and standby functions can be remotely controlled by wiring ETO2 to external buttons/relays (normally open).

Connect external standby button to terminals 33-34.

Connect external forced heat button to terminals 35-36.

TESTING SNOW MELTING SYSTEM

After completing installation and application setup, it is recommended that the snow melting system is tested.

1. Adjust SET TEMP in the setup menu to max. temperature.
2. Pour some water onto the sensor (ETOG/ETOR).
3. The output relay for the heating cable in the zone concerned should activate and ON should be indicated on the ETO2 display. Check that the heating cable becomes warm, check the voltage if possible.
4. After testing, adjust SET TEMP back to the desired setting (factory setting = +3.0°C / 37.4°F).

WIRING (fig. 16):

TERMINAL	COLOUR CODE	WIRING
N, L		Supply voltage, 115-240 V AC 50/60 Hz
1, 2		Alarm relay (potential-free), max. 5 A
3, 4		Output relay 1, 16 A (potential-free), Heating cable 1 (zone 1) / Primary pump
5, 6		Output relay 2, 16 A (potential-free), Heating cable 2 (zone 2) / Secondary pump
7, 8		Output relay 3, 16 A (potential-free), Heating cable 3
11, 12	brown/green	Sensor heating 1+2, ETOG 1+2 and ETOR 1+2
13, 14	grey/pink	Temperature sensor, ETOG 1
15, 16	yellow/white	Moisture sensor 1, ETOG 1/ETOR 1
17, 18	grey/pink	Temperature sensor, ETOG 2
19, 20	yellow/white	Moisture sensor 2, ETOG 2 /ETOR 2
21, 22		3- or 4-way mixing valve, 0-10 V
23, 24		3- or 4-way mixing valve, 24 V AC
25, 26		24 V AC from external supply for 3- or 4-way mixing valve
27, 28		Supply water temperature sensor, ETF-522
29, 30		Return water temperature sensor, ETF-522
31, 32		Outdoor temperature sensor, ETF
33, 34		Standby, external input
35, 36		Forced control heat, external input

**ETOR SENSOR WIRES :**

Note that the pink and grey wires are not used.

Environment protection and recycling

Help protect the environment by disposing of the packaging and redundant products in a responsible manner.

Product disposal

Products marked with this symbol must not be disposed of along with household refuse, but must be delivered to a waste collection centre in accordance with current local regulations.

Figures

- Fig. 1 Installation of ETOG ground sensor
 1 Sensor
 2 Installation plate
 3 Heating element
- Fig. 2 Installation of ETOR gutter sensor and ETF outdoor sensor
 1 Thermostat ETO2
 2 Gutter sensor
 3 Outdoor sensor
- Fig. 3 1-zone electric heating with ETOG sensor
- Fig. 4 1-zone electric heating with ETOR/ETF sensor
- Fig. 5 2-zone electric heating (roof/ground)
- Fig. 6 ETOG connection
- Fig. 7 ETOR connection
- Fig. 8 Heating cable connection, example
- Fig. 9 2-stage electric heating control (Y/Δ)
- Fig. 10 Advanced 2-stage connection (Y/Δ)
- Fig. 11 1-zone hydronic heating control for control of supply water temp. with mixing valve
- Fig. 12 1- or 2-zone hydronic heating control, simple (same application setup as 1- or 2-zone electric heating control)
- Fig. 13 Hydronic mixing valve connection
- Fig. 14 Hydronic pump connection
- Fig. 15 Connections for remote control of standby and forced heat
- Fig. 16 ETO2 controller, terminal overview



English

User Manual



CONTENTS

Glossary	Page	43
Introduction	Page	43
Startup	Page	44
Operation	Page	45
Main menu	Page	45
Display texts	Page	45
Application info	Page	46
Settings	Page	46
Restart	Page	48
Offset calibration	Page	49
Factory settings	Page	49
Troubleshooting	Page	49

GLOSSARY

Zone 1, 2:	Independent heating zones in which ice and snow can be melted.
Encoder button:	Button which can be turned or pressed to easily configure the settings.
ETOG-55:	Ground sensor for detecting moisture and temperature.
ETOR-55:	Gutter sensor for detecting moisture.
ETOG-56/ETOK-1:	Embedded ground sensor for detecting moisture and temperature.
ETF-744/99:	Outdoor sensor for detecting temperature.
Y/Δ:	Advanced 2-stage control of electric heating systems.
Afterrun:	The heat provided by the system, for a specified length of time, after the moisture/temperature signal has been eliminated by a heating cycle.

INTRODUCTION

Type ETO2 is an electronic controller for fully automatic, economical ice and snow melting on outdoor surfaces and in gutters. Ice forms due to a combination of low temperature and moisture. ETO2 detects both temperature and moisture and the heating system will only be activated if a possibility of ice or snow is indicated by both parameters.

An easily operated encoder button and backlit graphic display ensure quick and easy configuration and simple indication of temperature, status, etc.

ETO2 is suitable for controlling electric heating cables in 1 or 2 zones. It also features advanced two-stage output control for economic operation.

In hydronic mode, the supply sensor maintains the required supply water temperature while the system is active. When heat is demanded, both the circulation and main pumps are activated and the valve is opened 20% for 1 minute to let the system stabilise.

When there is no need for ice or snow melting, the system activates the circulation pump for 1 minute every 15 minutes to check whether the return water temperature has dropped below the required "idle temp." If this is the case, the system fully activates to increase the return water temperature to the required level.

STARTUP

SELECT SCALE:
CELSIUS
FAHRENHEIT

When ETO2 is switched on for the first time, Celsius or Fahrenheit must be selected. Turn the encoder button until the required temperature scale is highlighted. Then accept the selection by pressing the encoder button.

SENSOR 1:
ETOG
ETOR

SENSOR 1 is shown on the display, allowing the type of sensor connected for input 1 to be selected:

ETOG : Ground sensor

ETOR : Gutter sensor + outdoor sensor

Then accept the selection by pressing the encoder button.

SENSOR 2:
OFF
ETOG
ETOR

SENSOR 2 is then shown on the display, allowing the type of sensor connected for input 2 to be selected. If no sensor is connected to input 2, OFF must be selected.

OUTDOOR SENSOR:
OFF
ETF

Select ETF if an ETF outdoor sensor is connected to terminals 31-32.

If no ETF sensor is connected, select OFF. Then accept the selection by pressing the encoder button.

APPLICATION:
ELECTRIC 1-ZONE
ELECTRIC 2-ZONE
ELECTRIC 2-STAGE
HYDRONIC

Select the application type by turning the encoder button and pressing OK.

ELECTRIC 1-ZONE : 1-zone electric heating control. Note: also used for simple hydronic. Fig. 12

ELECTRIC 2-ZONE : 2-zone electrical heating control. Note: also used for simple hydronic. Fig. 12.

ELECTRIC 2-STAGE : Advanced 2-stage electric heating control (Y/Δ) of 1 zone. Fig. 10

HYDRONIC : 1-zone hydronic heating control with supply water control. Fig. 11

Select the appropriate option and press OK. The system is now set up, and will begin operating fully automatically in accordance with the pre-configured standard program, see **FACTORY SETTINGS**. Alternative settings can also be made, see **SETTINGS**.

ZONE 1 HEAT	OFF
ZONE 2 HEAT	OFF
AFTERRUN 1	0.00
AFTERRUN 2	0.00
STANDBY	OFF

Status and afterrun data for zones 1 and 2 are now shown on the display.

OPERATION

ETO2 is equipped with an easily operated encoder button (turn and press) and a display which describes the current situation. The display is backlit and is illuminated by pressing the encoder button (OK). The illumination is automatically switched off after 30 seconds.

Press the encoder button and the main menu will be shown on the display.

Turn the button to scroll through the options. Not all the options are shown on the display at once, but they can be accessed by turning the encoder button.

Press OK to select a highlighted option.

MAIN MENU

ZONE 1	OFF
ZONE 2	OFF
SENSOR 1	##.#°C
SENSOR 2	##.#°C
MOIST 1	NO
MOIST 2	NO
OUT. TEMP	##.#°C
SUPPLY W.	##.#°C
RETURN W.	##.#°C
ALARM	NO
SHOW INFO	
SETUP	
RESTART	
EXIT	

DISPLAY TEXTS

ZONE 1 **OFF** Heating zone 1 active (ON) or inactive (OFF)

ZONE 2 **OFF** Heating zone 2 active (ON) or inactive (OFF)

SENSOR 1 **##.#°C** Sensor 1 (heated sensor) core temperature. Applies only when ETOG sensor is connected.

NOTE: The temperature shown does not equal ambient temperature during moisture detection!

SENSOR 2 **##.#°C** Sensor 2 (heated sensor) core temperature. Applies only when ETOG sensor is connected.

NOTE: The temperature shown does not equal ambient temperature during moisture detection!

MOIST 1	NO	Sensor 1 moisture status. YES / NO / Blank. Blank will be shown if temperature is above Set Temp or the system is in Afterrun mode.
MOIST 2	NO	Sensor 2 moisture status. YES / NO / Blank. Blank will be shown if temperature is above Set Temp or the system is in Afterrun mode.
OUT TEMP	##.#°C	Ambient outdoor temperature. Applies only when ETF sensor is connected.
SUPPLY W.	##.#°C	Supply water temperature, hydronic application only.
RETURN W.	##.#°C	Return water temperature, hydronic application only.
ALARM	NO	Fault message, fault type will be displayed. Red LED on front of unit will flash.

APPLICATION INFO

SHOW INFO

APP:	E. 1-ZONE	Application type: electric or hydronic heating
SW VERSION	1.00	Software version
SENSOR 1	ETOG	Sensor type, sensor 1
SENSOR 2	OFF	Sensor type, sensor 2
SENSOR ETF	OFF	Whether an ETF sensor is connected
EXIT		Return to main menu

SETTINGS

Please note that incorrect sensor setup may lead to poor or lacking ice and snow melting. Press OK and a submenu will be shown on the display. Select the parameter to be set and press OK.

SETUP

FORCE HEAT	OFF	Manual start of forced heating. Press OK and select ON to start forced heating. The ETO2 controller will provide heat for the pre-programmed afterrun time, see AFTERRUN 1 and 2.
SELECT SCALE	C	Whether temperature is to be displayed in Celsius (C) or Fahrenheit (F) can be selected here. Select the required scale and press OK. Press OK to return to the SETUP menu.

SET TEMP 1	3.0C	Set temperature for zone 1: The temperature at which the ice and snow melting system will become active can be set here. The temperature setting can be adjusted within the range +50/-20°C (122/-4°F). Set the required temperature and press OK.
SET TEMP 2	3.0C	Set temperature for zone 2: The temperature at which the ice and snow melting system will become active can be set here. The temperature setting can be adjusted within the range +50/-20°C (122/-4°F). Set the required temperature and press OK.
OFF TEMP 1	OFF	The lowest operating temperature for zone 1 can be set here. Below this temperature, the system will enter standby mode. The setting can be as low as -20°C (-3.9°F), or OFF can be selected. OFF = no limit. To change the minimum cut-off temperature, press OK, turn the encoder button to the desired value and confirm with OK.
OFF TEMP 2	OFF	The lowest operating temperature for zone 2 can be set here. The setting can be as low as -20°C (-3.9°F), or OFF can be selected. OFF = no limit. To change the minimum cut-off temperature, press OK, turn the encoder button to the desired value and confirm with OK.
AFTERRUN 1	2:00	Afterrun time, zone 1: An afterrun duration of between 0 and 18 hours can be set here. The system will continue to provide heat for the specified time after the moisture/temperature signal has been eliminated by a heating cycle. Use the encoder button to set the required afterrun time and press OK.
AFTERRUN 2	2:00	Afterrun time, zone 2: An afterrun duration of between 0 and 18 hours can be set here. Use the encoder button to set the required afterrun time and press OK.
OFFSET T1	0.0C	Zone 1 temperature can be calibrated here. With the ETOG-55 sensor, the temperature shown on the ETO2 display is always the core temperature of the sensor. For calibration, please see <i>OFFSET CALIBRATION</i> .
OFFSET T2	0.0C	Zone 2 temperature can be calibrated here. With the ETOG-55 sensor, the temperature shown on the ETO2 display is always the core temperature of the sensor. For calibration, please see <i>OFFSET CALIBRATION</i> .
OFFSET OUT.	0.0C	Outdoor temperature can be calibrated here. The temperature recorded by the ETF outdoor sensor can be adjusted so that the exact temperature is displayed on ETO2. Measure the temperature beside the sensor using a thermometer. Adjust the necessary offset using the encoder button. Press OK.
MIN WATER	5.0C	The minimum return water temperature can be set here. Set the required minimum temperature and press OK. This menu option is only available when hydronic heating is used.

MAX WATER 55.0C

The maximum supply water temperature can be set here. Set the required maximum temperature and press OK.
This menu option is only available when hydronic heating is used.

SENSOR HEAT AUTO

In auto mode, sensor heating is switched off during periods when snow melting is active. Under special conditions or during extremely cold weather, the sensor can be heated continuously. Select ON and press OK.

MOIST CTRL ON

Moisture control can be switched off here. If so, snow and ice melting will only be controlled by the set temperature, see SET TEMP. Select OFF to switch off moisture control and press OK.



Note that energy consumption/costs will rise if moisture control is switched off.

SENSITIVITY NORM

Sensor sensitivity can be adjusted in 5 steps: MIN: e.g. for salted roads - LOW: e.g. for dirty snow - NORM: e.g. for mixed snow conditions - HIGH: e.g. for white snow - MAX: e.g. for very pure snow or hoar frost. To change sensitivity, press OK, turn the encoder button to the desired setting and confirm with OK.

LANGUAGE ENGLISH

Language information.

FACTORY RESET

All ETO2 factory settings can be restored here. Selecting this option deletes all customised settings.

REINSTALL

REINSTALL
PASSWORD XXXX

In the event of setup failure in the STARTUP menu, or whenever new hardware is connected, the primary setup must be changed in the STARTUP menu. Select PASSWORD and turn the encoder button to the factory code (1202). The controller will then return to the STARTUP menu, see STARTUP.

EXIT

Select this option and press OK to return to the main menu.

RESTART

After changing the settings, or whenever a new process start is required, the ETO2 can be restarted in this menu.

RESTART

Restarts operation while retaining all your current settings. The ETO2 goes to the initial status display.

OFFSET CALIBRATION

If it is necessary to calibrate the temperature measured by the ETOG sensor, please follow the steps below:

1. Disconnect the sensor from terminals 11 and 12 (sensor heating) of the ETO2.
2. Wait a few hours until the sensor has acquired the same temperature as the ground.
3. Measure the real ground/sensor temperature and compare it with the temperature shown on the ETO2 display.
4. Program the offset for the sensor concerned to match the difference between the two temperatures (displayed/real).
Adjust the necessary offset using the encoder button. Press OK.
5. Reconnect the sensor to terminals 11 and 12 of the ETO2.

NOTE: With the ETOG sensor, the temperature shown on the ETO2 display is always the core temperature of the sensor.

FACTORY SETTINGS

SETUP	FACTORY SETTINGS	OWN SETTINGS
Application	Electric	
Sensor 1	ETOG	
Sensor 2	OFF	
Select scale	Celsius	
Afterrun time, zone 1	2.00 hours	
Afterrun time, zone 2	2.00 hours	
Temp. offset, zone 1	0.0°C / 0.0°F	
Temp. offset, zone 2	0.0°C / 0.0°F	
Temp. offset ETF	0.0°C / 0.0°F	
Temp. setpoint, zones 1+2	3.0°C / 37.4°F	
OFF temp., zones 1+2	OFF	
Sensor heating, zones 1+2	AUTO	
Moisture control, zones 1+2	ON	
Sensitivity, zones 1+2	NORM	
Min. water temp.	5°C / 41°F	
Max. water temp.	55°C / 131°F	

TROUBLESHOOTING

If faults occur in the ice and snow melting system, it is advisable to check the ETO2 setup. Activate the menu by pressing the encoder button and select SHOW INFO to display the application settings. If there are errors in the setup, activate REINSTALL using factory code 1202.

Check that all connections are made correctly, and that cables are fastened in the clamps.

For answers to FAQ, please visit our website: www.ojelectronics.com / support / FAQ - Snowmelting.

Ice/snow does not melt

- **Does the display show HEAT ON in zone 1 / 2?**

YES:

- Wait 1-2 hours.
- Check under the snow, if the snow is beginning to melt the system is OK.
- Check heating cables for defects and bad or incorrect connections.
- It may be too cold for snow melting (insufficient power/m²), i.e. the heating cables or hydronic heating system is undersized.

NO:

- The temperature is higher than SET TEMP. Adjust SET TEMP to higher temperature.
- The snow around the ground sensor has melted or drifting snow has exposed the sensor. Increase AFTERRUN time or activate FORCE HEAT.
- An igloo effect has occurred around the sensor. The ground sensor has melted an insulated cavity under the snow. Activate FORCE HEAT or set MOIST CTRL to OFF.
- The temperature is lower than the OFF TEMP setting. Depending on heat output, the system may have a lower temperature limit at which snow can be melted. Try melting the snow with FORCE HEAT before changing the OFF TEMP.

Heating is not shut off after ice/snow melting

- AFTERRUN time is too long – reduce AFTERRUN time and activate RESTART in the menu.
- Moisture detection in the ETOG/ETOR sensor is turned off – set MOIST CTRL to ON in the menu.

If the red ALARM button flashes, one of the following faults has occurred. The relevant message will be displayed in the ALARM menu.

- “RETURN TEMP LOW” - Water temperature in return pipe is too low.
- “SUPPLY TEMP HIGH” - Water temperature in supply pipe is too high.
- “RETURN SENSOR” - Return sensor defective.
- “SUPPLY SENSOR” - Supply sensor defective.
- “TEMP SENSOR 1” - Temperature sensor 1 (ground or roof) defective.
- “TEMP SENSOR 2” - Temperature sensor 2 (ground or roof) defective.
- “OUTDOOR SENSOR” - Outdoor sensor defective.
- “SENSOR HEATER” - Heating element in ground or roof sensor short-circuited.
- “FROST PROTECT” - Frost protection active due to low return temperature. (hydronic systems only)

MENU OVERVIEW:

STARTUP

SELECT SCALE
 CELSIUS
 FAHRENHEIT

SENSOR 1
 ETOG
 ETOR

SENSOR 2
 OFF
 ETOG
 ETOR

OUTDOOR SENSOR
 OFF
 ETF

APPLICATION
 ELECTRIC 1-ZONE
 ELECTRIC 2-ZONE
 ELECTRIC 2-STEP
 WATER BASED

MAIN MENU

ZONE 1	OFF
ZONE 2	OFF
SENSOR 1	##.# °C
SENSOR 2	##.# °C
MOIST 1	NO
MOIST 2	NO
OUT. TEMP	##.# °C
SUPPLY W.	b##.# °C
RETURN W.	##.# °C
ALARM	NO
SHOW INFO	
SETUP	
RESTART	
EXIT	

OPERATION

ZONE 1 HEAT	OFF
ZONE 2 HEAT	OFF
AFTERRUN 1	0.00
AFTERRUN 2	0.00
STANDBY	OFF

ALARM MENU

ACTIVE ALARMS
 RETURN TEMP LOW
 SUPPLY TEMP HIGH
 RETURN SENSOR
 SUPPLY SENSOR
 TEMP SENSOR 1
 TEMP SENSOR 2
 OUTDOOR SENSOR
 SENSOR HEATER
 FROST PROTECT
 EXIT

SETUP

FORCE HEAT	OFF
SELECT SCALE	C
SET TEMP 1	3.0C
SET TEMP 2	3.0C
OFF TEMP 1	OFF
OFF TEMP 2	OFF
AFTERRUN 1	2.00
AFTERRUN 2	2.00
OFFSET T1	0.0C
OFFSET T2	0.0C
OFFSET	OUT
MIN WATER	5.0C
MAX WATER	55.0C
SENSOR HEAT	AUTO
MOIST CTRL	ON
SENSITIVITY	NORM
LANGUAGE	ENGLISH
FACTORY RESET	
REINSTALL	
EXIT	

SHOW INFO

APP:	E. 1-ZONE
SW VERSION	1.13
SENSOR 1	ETOG
SENSOR 2	OFF
SENSOR ETF	OFF
EXIT	

REINSTALL
 REINSTALL
 PASSWORD 1202

FACTORY RESET
 EXIT
 RESET

RESTART

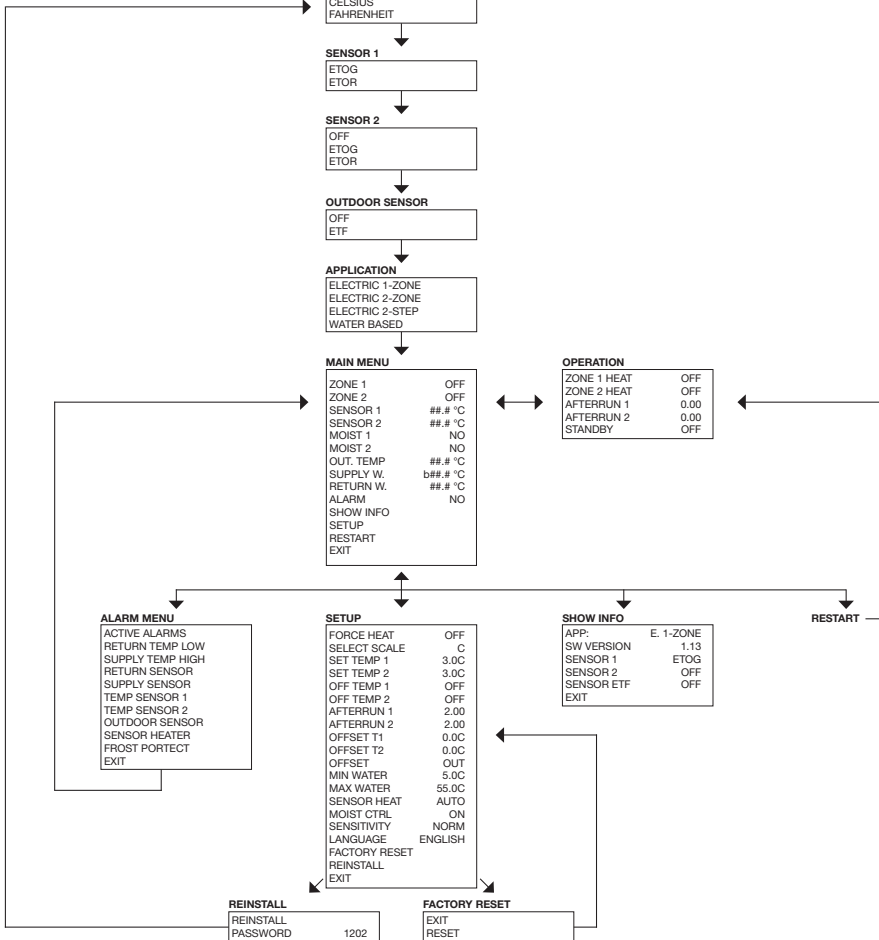


Fig. 1 Installation of ETOG ground sensor

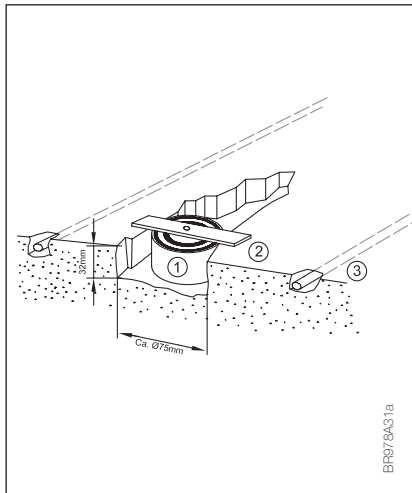


Fig. 3 1-zone electric heating with ETOG sensor

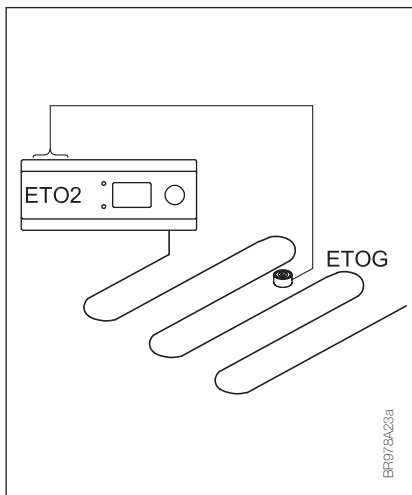


Fig. 2 Installation of ETOR gutter sensor and ETF outdoor sensor

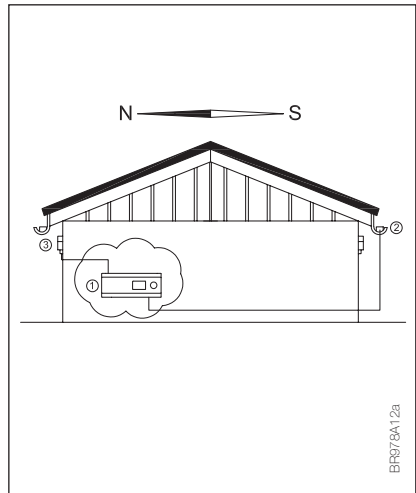


Fig. 4 1-zone electric heating with ETOR/ETF sensor

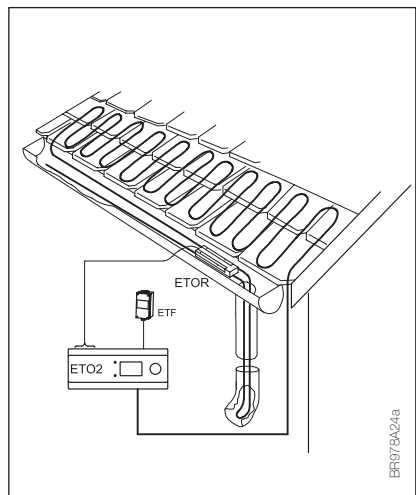


Fig. 5 2-zone electric heating (roof/ground)

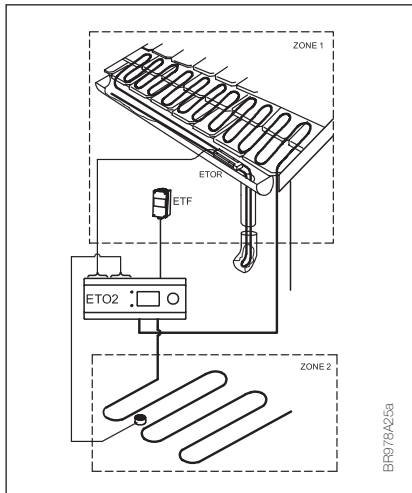


Fig. 6 ETOG connection

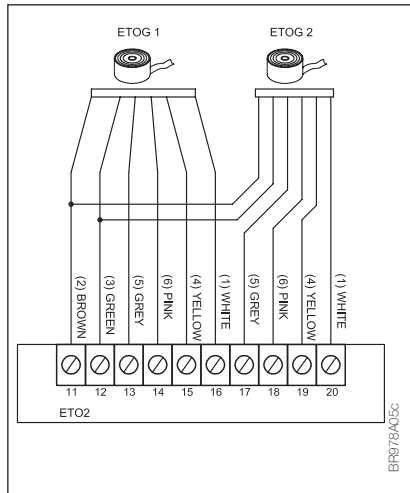


Fig. 7 ETOR connection

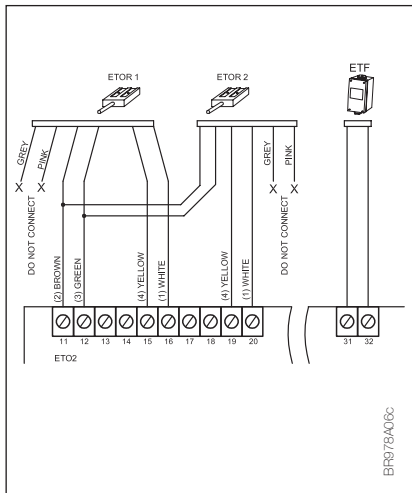


Fig. 8 Heating cable connection, example

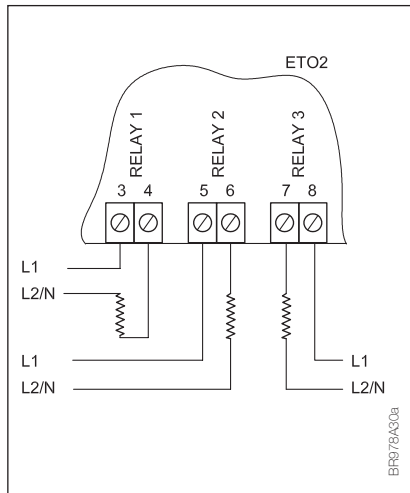


Fig. 9 Advanced 2-stage electric heating control (Y/Δ)

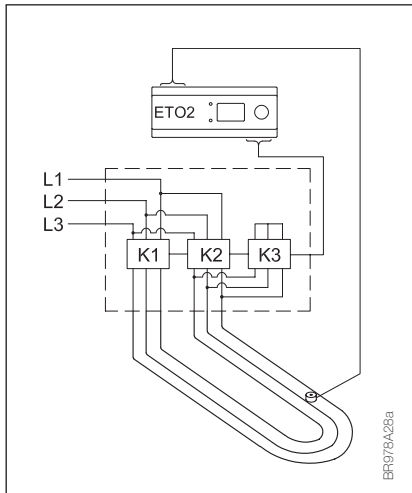


Fig. 10 Advanced 2-stage connection (Y/Δ)

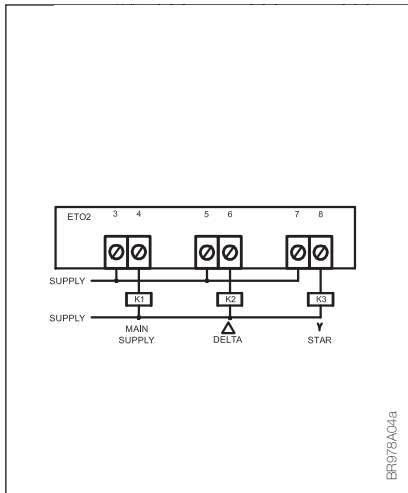


Fig. 11 1-zone hydronic heating control for controlling the supply water temp. with mixing valve

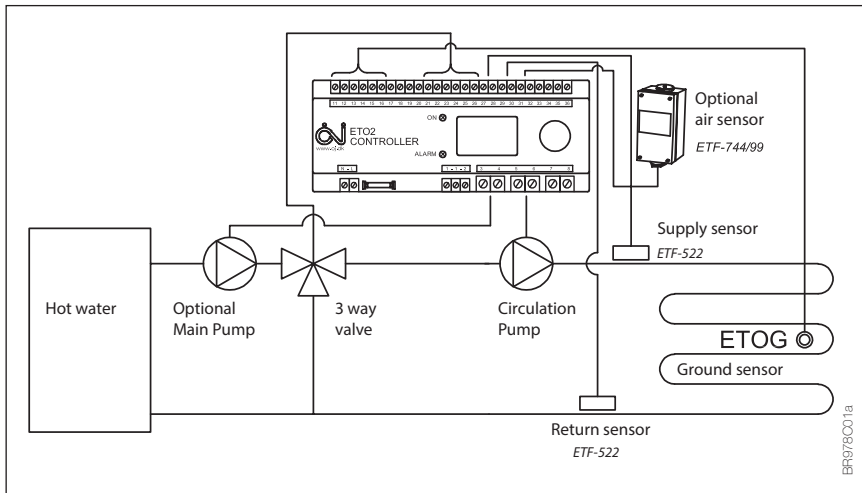
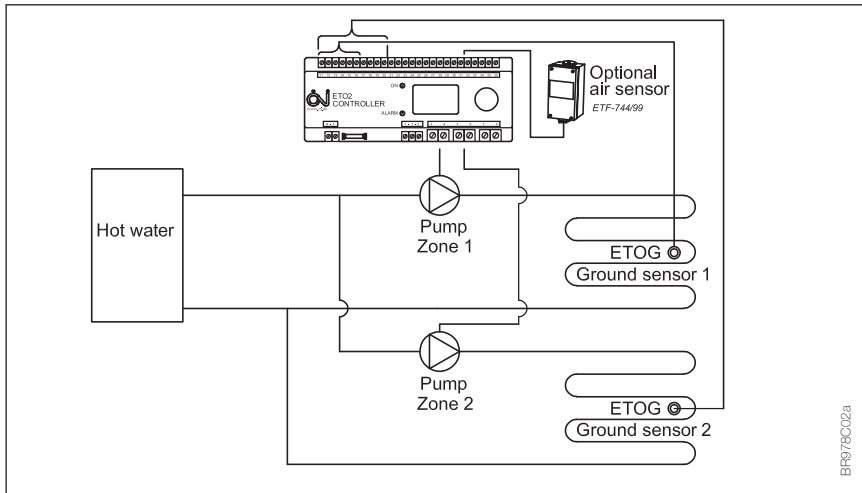
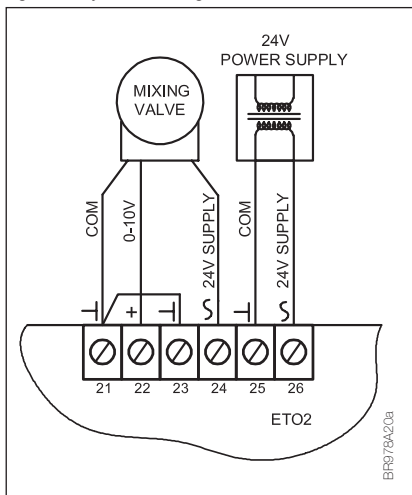


Fig. 12 1- or 2-zone hydronic heating control, simple (same application setup as 1- or 2-zone electric heating control)



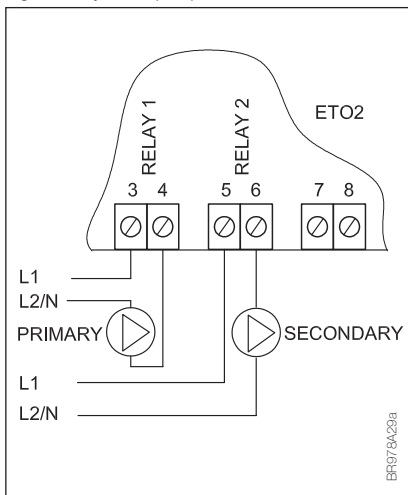
BR0780C2a

Fig. 13 Hydronic mixing valve connection



BR0780C20a

Fig. 14 Hydronic pump connection



BR0780C20a

Fig. 15 Connections for remote control of standby and forced heat

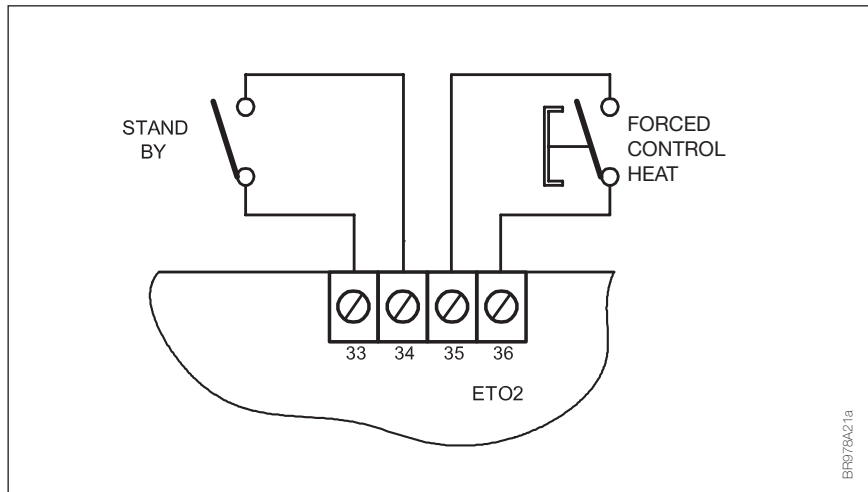
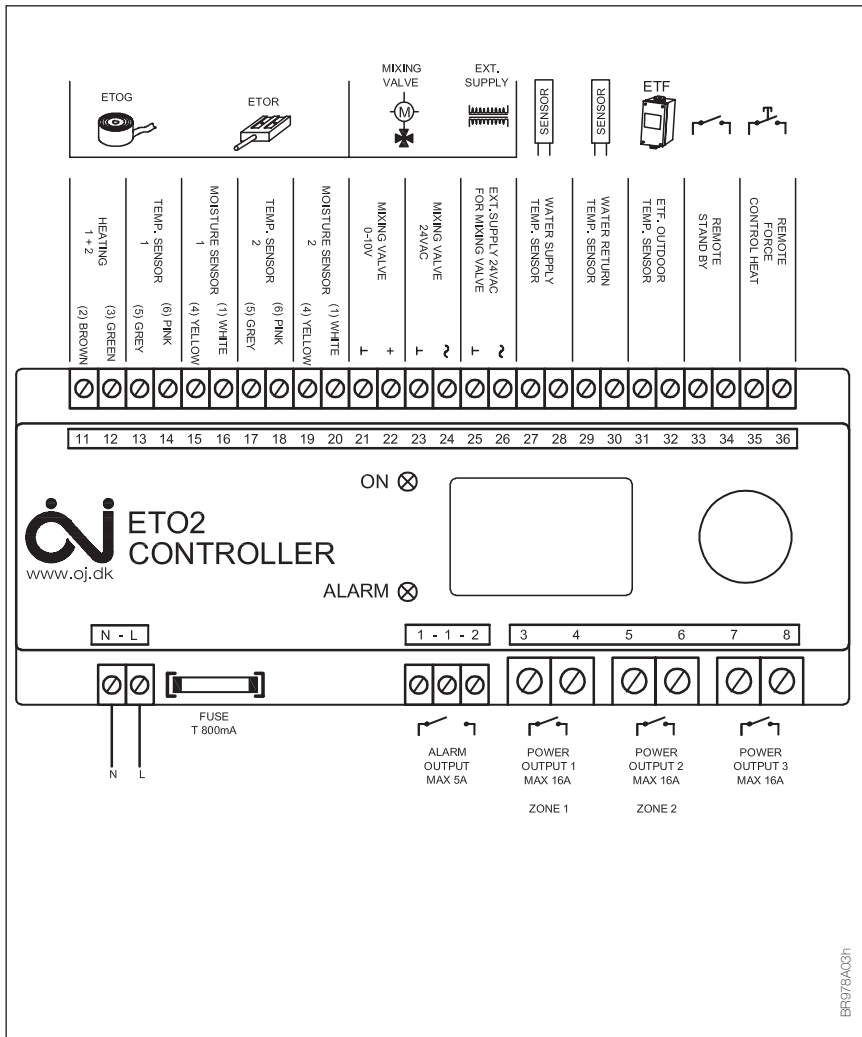


Fig. 16 ETO2 controller, terminal overview



BR1978A03fn